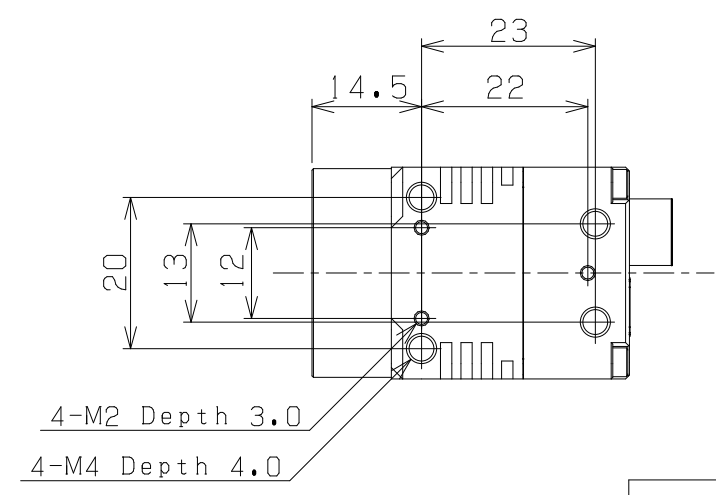
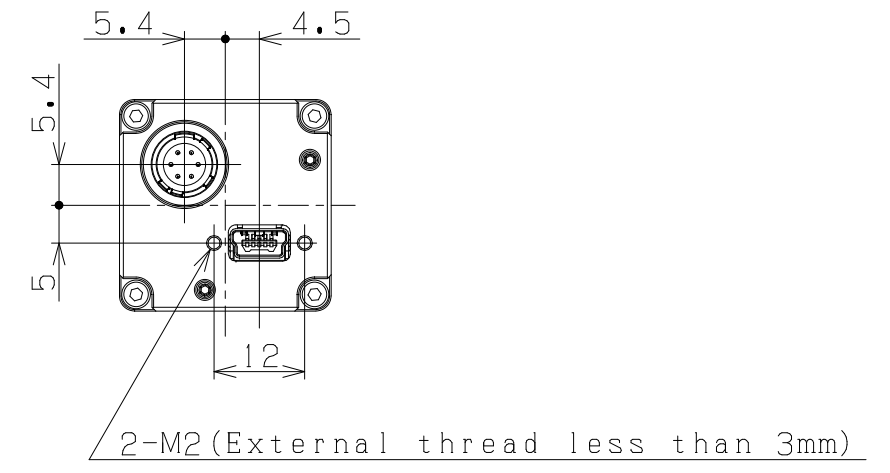
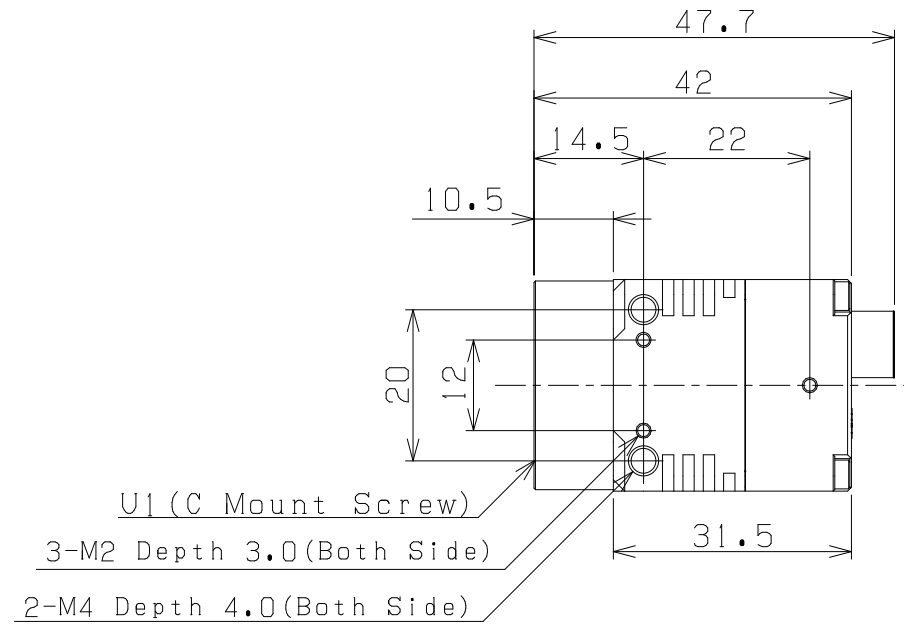
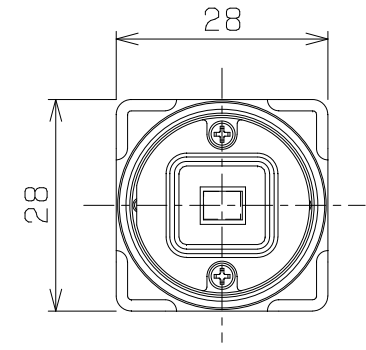
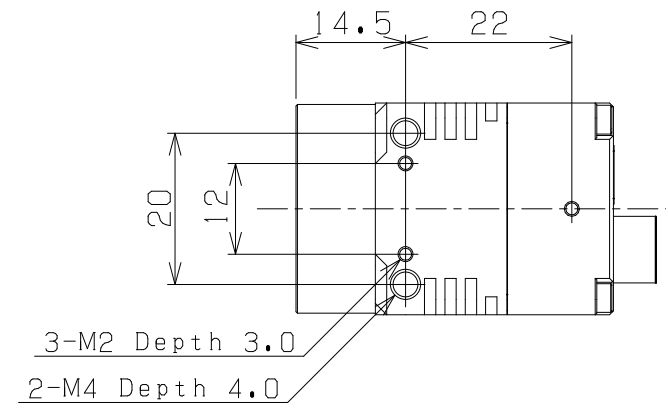
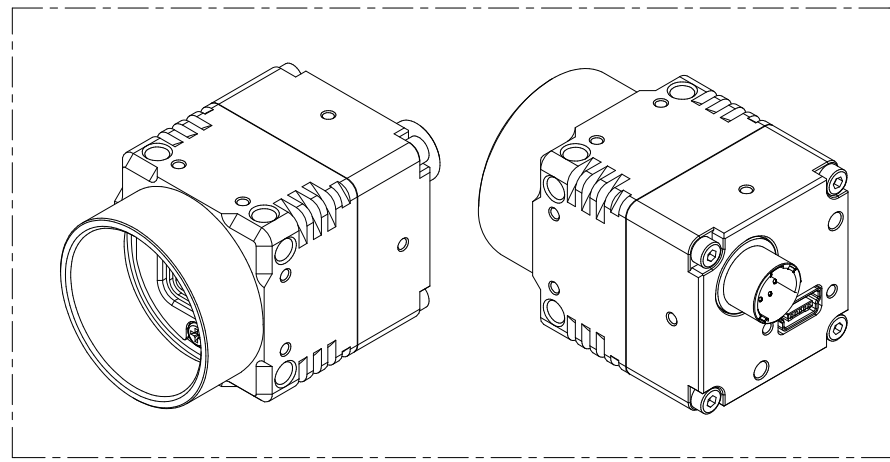


REV.	DESCRIPTION	APP.
0	2011/7/15	

DRAWING NO.  
HCB002  
REV.  
0.0



PART NO.	TITLE	MATERIAL	SIZE	DETAIL WORKING	FINISH	QTY	FILE NAME
	外觀図						HCB002-0.FDB
APPROVALS	DATE 2011/7/15	小型USB2.0 C Mount type with IR			DRAWING NO. HCB002		REV. 0.0
APPROVED	CHECKED	SCALE 1/1		UNIT mm	3RD ANGLE PROJECTION		
DESIGNED 安齋	DRAWN 安齋						

B  
C  
D  
E  
F

A  
B  
C  
D  
E  
F